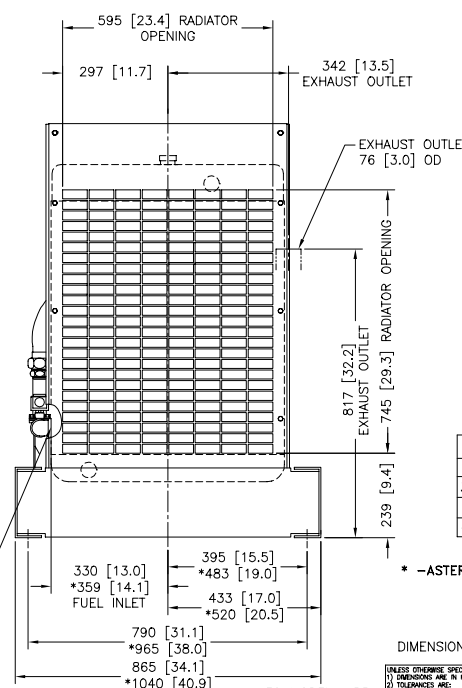
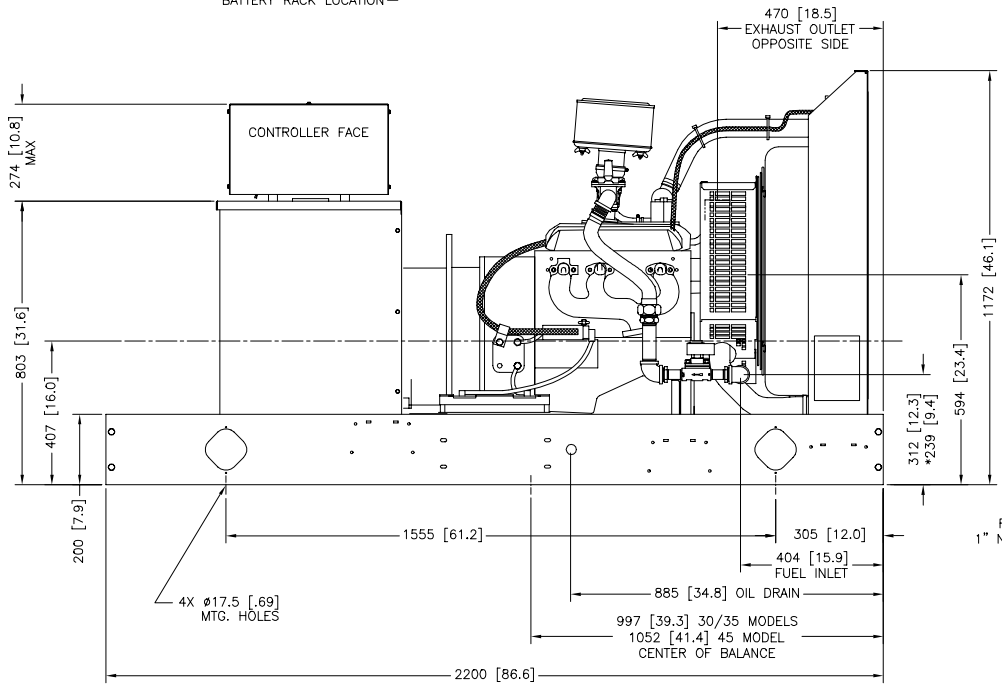
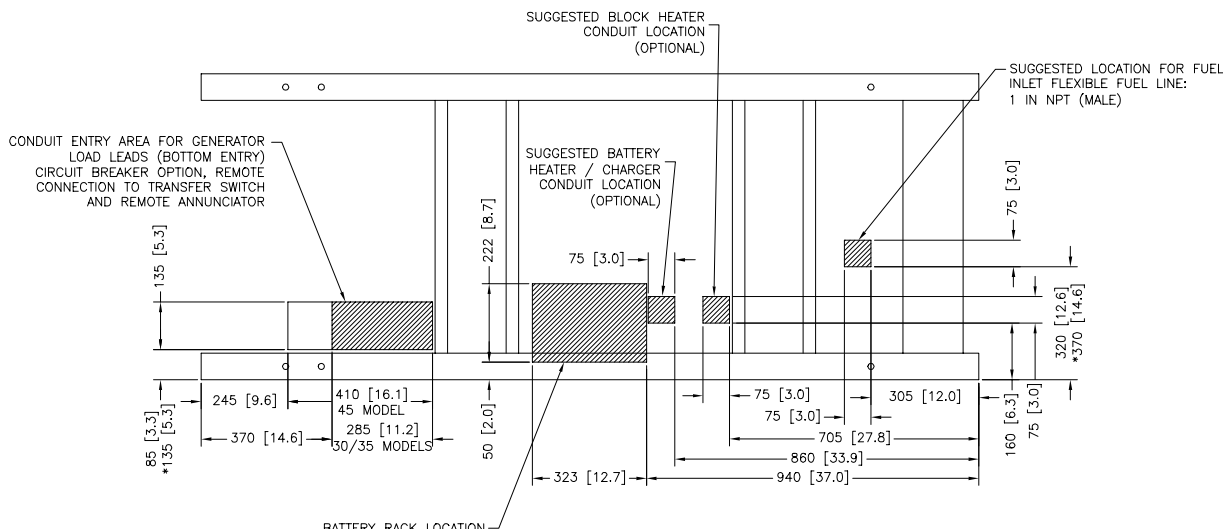


REV	DATE	REVISION	BY
L	12-17-02	STUB-UP CONDUIT LOCATIONS UPDATED, & BATTERY CHARGING	
		STUB-UP ADDED, (0-3,8-1) SUBBASE TANK NOTES ADDED. [68636]	RAC
M	4-28-03	(8-2) 745 WAS 715. [69412]	RAC
N	8-7-03	(8-1, D-3) ALL REF. TO SUBBASE TANKS REMOVED. [70092]	MMR
P	5-20-05	SEE SHEET 4 [75122]	SAM



MODEL	WEIGHT (WET)
30 4P5	556 KG [1225 LBS]
35 4P5B/4Q5	565 KG [1246 LBS]
45 4P7B	601 KG [1326 LBS]
45 4P8/4Q10	617 KG [1361 LBS]

* -ASTERISK DENOTES 1040 [40.9] SKID WIDTH

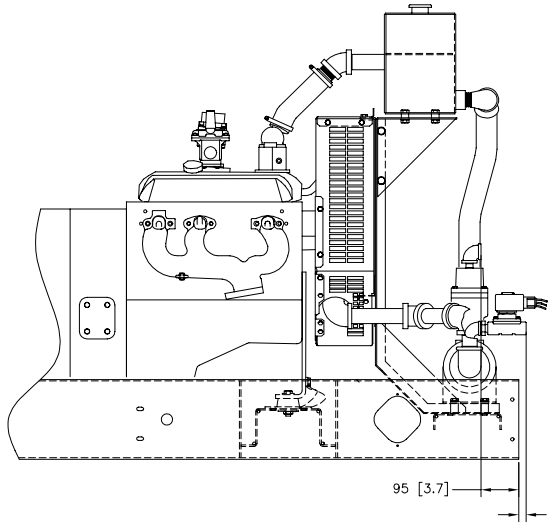
METRIC CAD FILE

DIMENSIONS IN [] ARE INCH EQUIVALENT

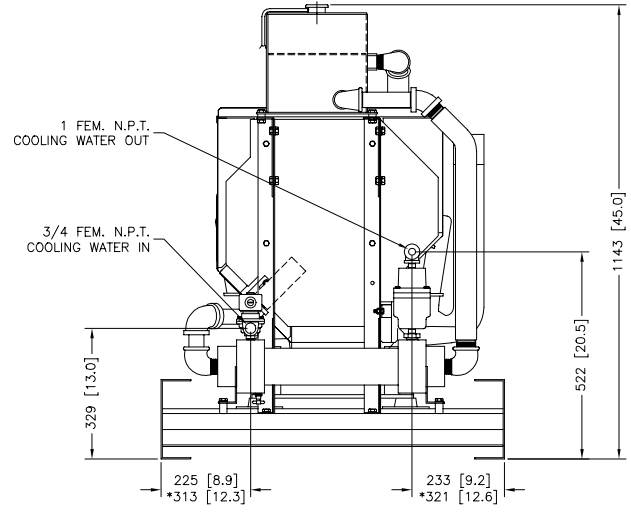
30 MODEL, 4P5
35 MODEL, 4P5B/4Q5
45 MODEL, 4P7B/4P8/4Q10
RECONNECTABLE,
IMPROVED MOTOR STARTING (IMS) RECONNECTABLE,
& 600V ALTERNATOR
4.3 LITER GM

UNLESS OTHERWISE SPECIFIED: 1) DIMENSIONS ARE IN MILLIMETERS 2) TOLERANCES ARE: X ± 0.25 SURFACE FINISH X ± 0.50 MAX. X ± 1.50 MAX. ANGLES ± 0.50°		KOHLER CO. POWER SYSTEMS, KOHLER, WI 53044 U.S.A. THIS DRAWING IS EITHER THE PROPERTY OF KOHLER CO. OR IT MAY BE USED ONLY IN CONNECTION WITH KOHLER CO. WORK. ALL RIGHTS OF DESIGN OR INVENTION ARE RESERVED.	
APPROVED	DATE	TITLE	
DRAWN	DATE	DIMENSION PRINT	
CHECKED	DATE	30-45 GM	
APPROVED	DATE	SCALE	SHEET 1-4
		ADV548A.DWG	ADV-6548

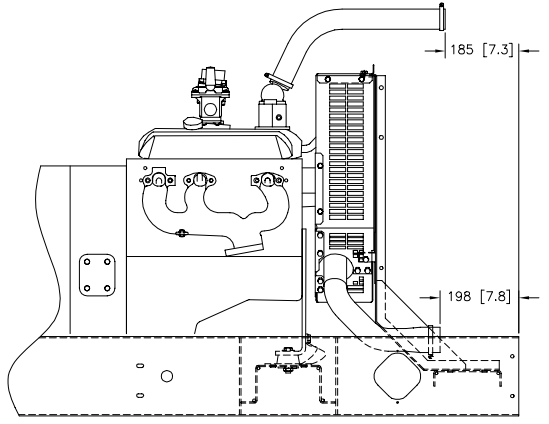
REV	DATE	REVISION	BY
L	12-17-02	SEE SHEET 1 & 4 OF 4. [68636]	RAC
M	4-28-03	(8-5) 555 WAS 579 & 643 WAS 667, (8-6) 1002 WAS 1001, (8-5) 192 WAS 170 & 296 WAS 258. [69412]	RAC
N	8-7-03	SEE SHEET 1 OF 4 [70092]	MMR
P	5-20-05	SEE SHEET 4 [75122]	SAM



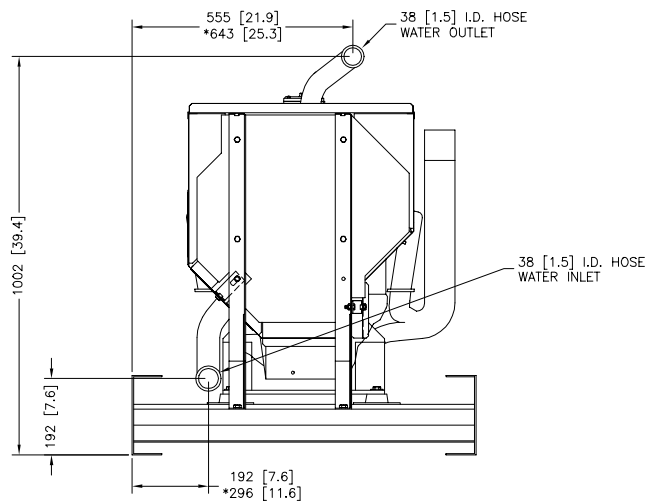
CITY WATER COOLED



* -ASTERISK DENOTES 1040 [40.9] SKID WIDTH



REMOTE RADIATOR

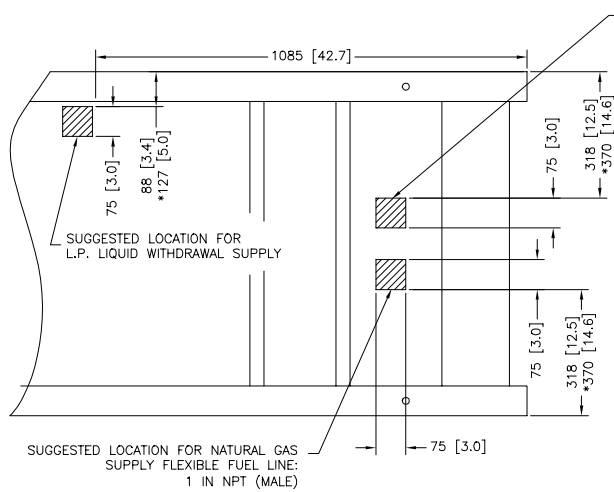


METRIC CAD FILE

DIMENSIONS IN [] ARE INCH EQUIVALENT

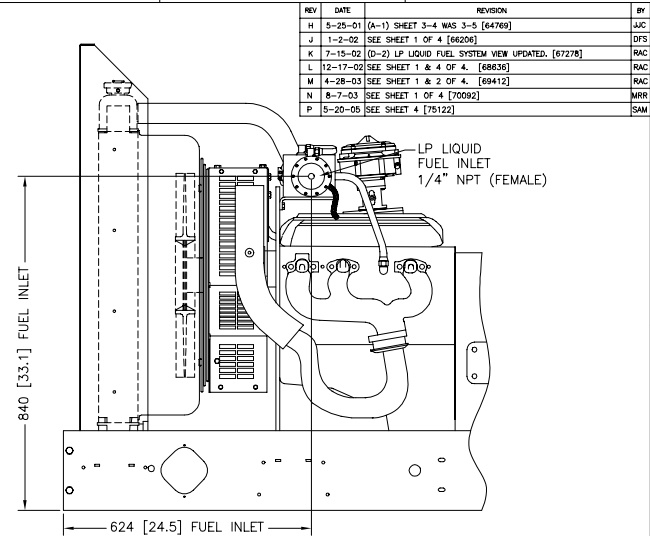
30 MODEL, 4P5
 35 MODEL, 4P5B/405
 45 MODEL, 4P7B/4P8/4Q10
 RECONNECTABLE,
 IMPROVED MOTOR STARTING (IMS)
 & 600V ALTERNATOR
 4.3 LITER GM

UNLESS OTHERWISE SPECIFIED: (1) DIMENSIONS ARE IN MILLIMETERS (2) TOLERANCES ARE: FRACTIONS DECIMALS SURFACE FINISH 1/16 ± 0.10 ✓ MAX. 1/8 ± 0.10 ✓ MAX. 1/4 ± 0.15 ✓ MAX. 3/8 ± 0.15 ✓ MAX. 1/2 ± 0.15 ✓ MAX. ANGLES ± 0.30°		KOHLER CO. POWER SYSTEMS, KOHLER, WI 53044 U.S.A. THIS DRAWING IS DESIGN AND TRADE SE PROPERTY AND MUST NOT BE USED WITHOUT THE CONSENT OF KOHLER CO. WORK ALL RIGHTS OF DESIGN OR INVENTION ARE RESERVED.	
TITLE: DIMENSION PRINT 30-45 GM		SHEET 2-4	
DRAWN: SAM CHECKED: CWF APPROVED: CWF	DATE: 8-21-00 DATE: 8-22-00 DATE: 6-22-00	SCALE: 0.18X DWG NO: ADV6548B.DWG REV. NO:	PART NO: ADV-6548

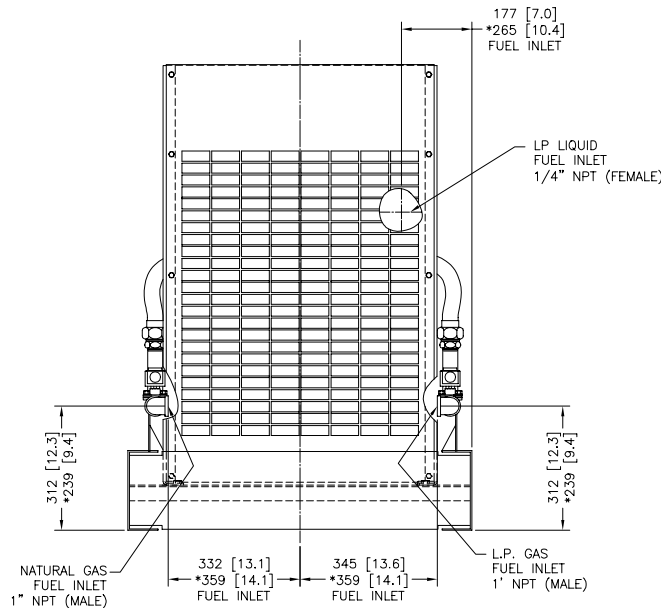
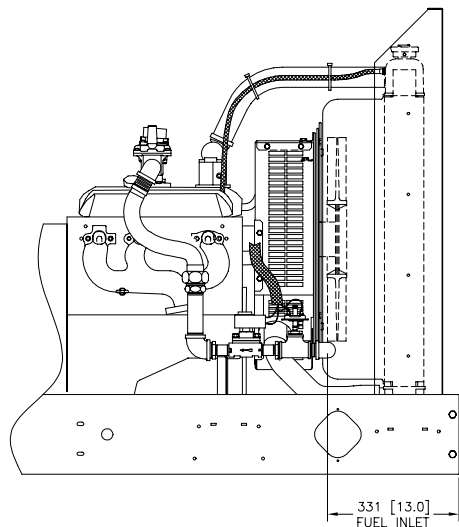


SUGGESTED LOCATION FOR L.P. GAS SUPPLY FLEXIBLE FUEL LINE: 1 IN NPT (MALE)

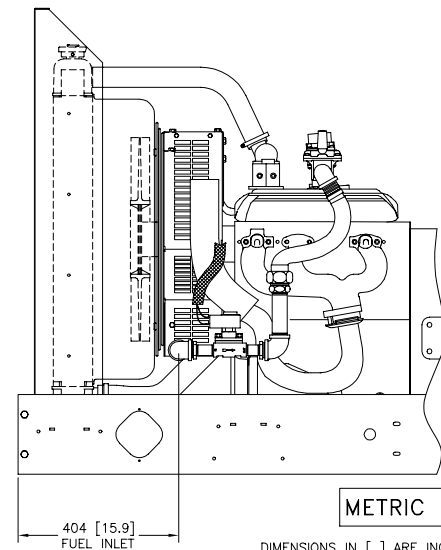
* -ASTERISK DENOTES 1040 [40.9] SKID WIDTH



REV	DATE	REVISION	BY
H	5-25-01	(A-1) SHEET 3-4 WAS 3-5 [64769]	JJC
J	1-2-02	SEE SHEET 1 OF 4 [66206]	DFS
K	7-15-02	(D-2) LP LIQUID FUEL SYSTEM VIEW UPDATED. [67278]	RAC
L	12-17-02	SEE SHEET 1 & 4 OF 4. [68036]	RAC
M	4-28-03	SEE SHEET 1 & 2 OF 4. [69412]	RAC
N	8-7-03	SEE SHEET 1 OF 4 [70092]	MRR
P	5-20-05	SEE SHEET 4 [75122]	SAM



LP LIQUID WITHDRAWAL



METRIC CAD FILE

DIMENSIONS IN [] ARE INCH EQUIVALENT

DUAL FUEL NATURAL GAS & LP GAS

UNLESS OTHERWISE SPECIFIED:
 (1) DIMENSIONS ARE IN MILLIMETERS
 (2) TOLERANCES ARE:
 <math>0.1 < \pm 0.25</math> SURFACE FINISH
 <math>0.25 < \pm 0.5</math> MAX.
 <math>0.5 < \pm 1.0</math>
 ANGLES 0.750°

KOHLER CO.
 POWER SYSTEMS, KOHLER, WI 53044 U.S.A.
 THIS DRAWING IS DESIGN AND TRADE INTELLECTUAL PROPERTY AND
 SHOULD NOT BE USED WITHOUT THE WRITTEN PERMISSION OF KOHLER CO. WORK
 ALL RIGHTS OF DESIGN OR INVENTION ARE RESERVED.

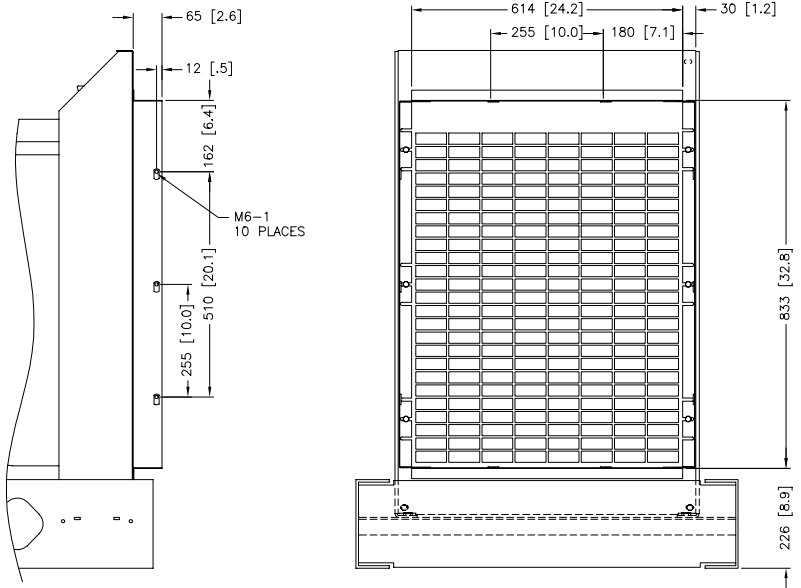
30 MODEL, 4P5
 35 MODEL, 4P5B/405
 45 MODEL, 4P7B/4P8/4Q10
 RECONNECTABLE,
 IMPROVED MOTOR STARTING (IMS) RECONNECTABLE,
 & 600V ALTERNATOR
 4.3 LITER GM

TITLE: DIMENSION PRINT
 30-45 GM

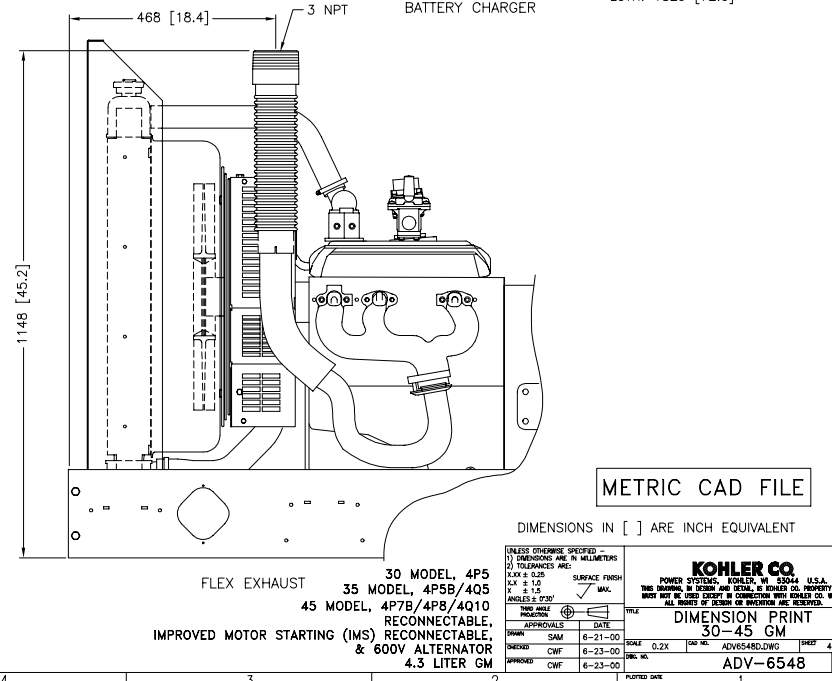
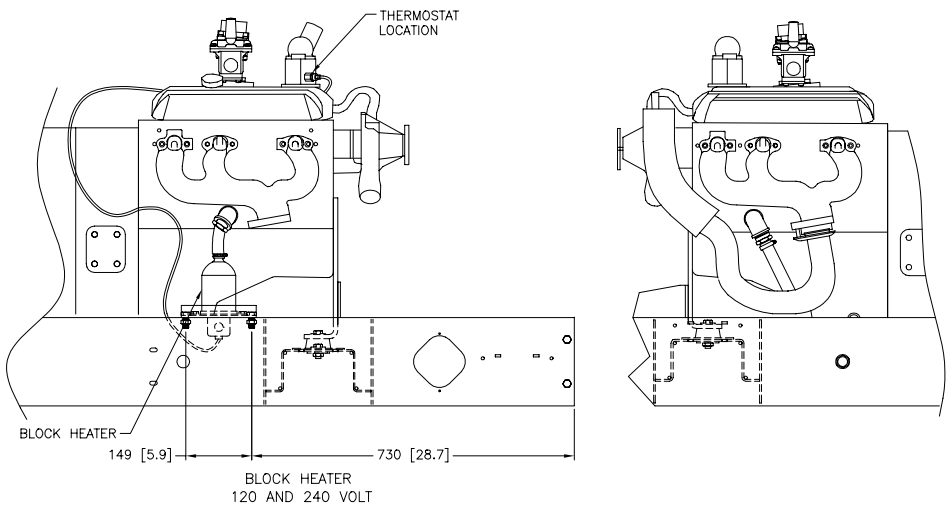
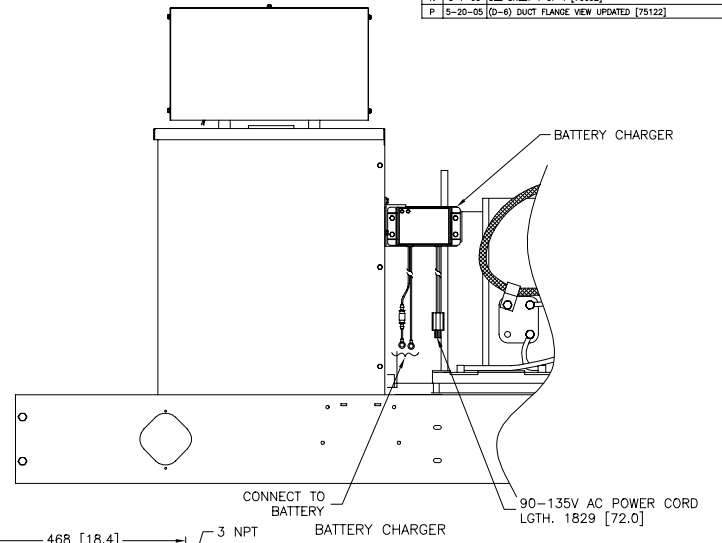
DESIGNED BY	DATE	APPROVED BY	DATE
DRAWN	SAM	6-21-00	
CHECKED	CMF	6-22-00	
APPROVED	CMF	6-22-00	

SCALE: 0.18X
 DWG NO: ADV0548C.DWG
 SHEET: 3-4
 FILE NO: ADV-6548

REV	DATE	REVISION	BY
H	5-25-01	(A-1) 4-4 WAS 4-5, SHEET 5 REMOVED [64769]	JJC
J	1-2-02	SEE SHEET 1 OF 4 [66206]	DFS
K	7-18-02	SEE SHEET 3 OF 4 [67278]	RAC
L	12-17-02	(C-2) BATTERY CHARGERS ADDED. [68636]	RAC
M	4-28-03	SEE SHT 1 & 2 OF 4. [69412]	RAC
N	8-7-03	SEE SHEET 1 OF 4 [70092]	WRR
P	5-20-05	(D-6) DUCT FLANGE VIEW UPDATED [75122]	SAM



RADIATOR DUCT FLANGE



FLEX EXHAUST
 30 MODEL, 4P5
 35 MODEL, 4P5B/405
 45 MODEL, 4P7B/4P8/4Q10
 RECONNECTABLE,
 IMPROVED MOTOR STARTING (IMS)
 & 600V ALTERNATOR
 4.3 LITER GM

DIMENSIONS IN [] ARE INCH EQUIVALENT

UNLESS OTHERWISE SPECIFIED: 1) DIMENSIONS ARE IN MILLIMETERS 2) TOLERANCES ARE: M & S: ± 0.25 K & L: ± 1.0 H & J: ± 1.5 ANGLES: ± 0.30°	SURFACE FINISH MAX.
---	------------------------

KOHLER CO.
 POWER SYSTEMS, KOHLER, WI 53044 U.S.A.
 THIS DRAWING IS DESIGN AND DRAWING PROPERTY OF KOHLER CO. PROPERTY AND
 SHOT NOT BE USED WITHOUT THE CONSENT OF KOHLER CO. WORK
 ALL RIGHTS OF DESIGN OR INVENTION ARE RESERVED.

APPROVED	DATE	TITLE
SAM	6-21-00	DIMENSION PRINT
CWF	6-23-00	30-45 GM
CWF	6-23-00	

SCALE: 0.2X
 DWG NO: ADV6548D.DWG
 SHEET: 4-4
 PART NO: ADV-6548